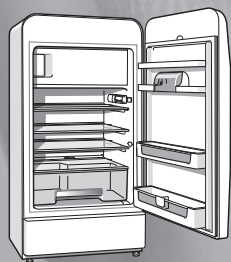


ремонт бытовой техники



KSL..

de Gebrauchsanleitung
en Operating instructions
fr Notice d'utilisation
it Istruzioni per l'uso
nl Gebruiksaanwijzing



BOSCH

en Index

Information concerning disposal	19	The freezer compartment	25
Safety and warning information	19	Storing deep-frozen food and making ice	26
Installing the appliance	21	Freezing food	26
Getting to know your appliance	21	Max. freezer capacity	27
Fascia	22	Thawing frozen food	27
Note ambient temperature and ventilation	22	Switching off the appliance	27
Connecting the appliance	23	Defrosting the freezer compartment	28
Switching on the appliance	23	Cleaning the appliance	28
Selecting the temperature	23	Tips for saving energy	29
Storing food in the appliance	24	Operating noises	29
Temperature indicator	24	Eliminating minor faults yourself	30
Interior fittings of refrigerator compartment	25	Customer service	31

en

Information concerning disposal

Disposal of packaging

The packaging protects your appliance from damage during transit. All packaging materials are environmentally friendly and recyclable. Please contribute to a better environment by disposing of packaging materials in an environmentally-friendly manner.

Please ask your dealer or inquire at your local authority about current means of disposal.

Disposal of your old appliance

Old appliances are not worthless rubbish! Valuable raw materials can be reclaimed by recycling old appliances.

 This appliance is labelled in accordance with European Directive 2002/96/EG concerning used electrical and electronic appliances (waste electrical and electronic equipment - WEEE). The guideline determines the framework for the return and recycling of used appliances as applicable throughout the EU.

Warning

Redundant appliances:

1. Pull out the mains plug.
2. Cut off the power cord and discard with the mains plug.

Refrigerators contain refrigerants and the insulation contains gases. Refrigerant and gases must be disposed of properly. Ensure that tubing of the refrigerant circuit is not damaged prior to proper disposal.

Safety and warning information

Before you switch ON the appliance

Please read the operating and installation instructions carefully.

They contain important information on how to install, use and maintain the appliance.

Keep all documentation for subsequent use or for the next owner.

Technical safety

- This appliance contains a small quantity of environmentally-friendly but flammable R600a refrigerant. Ensure that the tubing of the refrigerant circuit is not damaged during transportation and installation. Leaking refrigerant may cause eye injuries or ignite.

If damage has occurred

- Keep naked flames and/or ignition sources away from the appliance
- Pull out the mains plug.
- Thoroughly ventilate the room for several minutes
- Notify customer service

The more refrigerant an appliance contains, the larger the room must be. Leaking refrigerant can form a flammable gas-air mixture in rooms which are too small.

The room must be at least 1 m³ per 8g of refrigerant. The amount of refrigerant in your appliance is indicated on the rating plate inside the appliance.

en

- Only customer service may change the power cord and carry out any other repairs. Improper installations and repairs may put the user at considerable risk.

Important information when using the appliance

- Never use electrical appliances inside the appliance (e. g. heaters, electric ice makers, etc.). **Risk of explosion!**
- NEVER use a steam cleaner to defrost or clean the appliance. The steam may penetrate electrical parts and cause a short-circuit.
Risk of electric shock!
- Do not store products which contain flammable propellants (e. g. spray cans) or explosive substances in the appliance
Explosion hazard!
- Do not stand or support yourself on the base, drawers or doors, etc.
- Before defrosting and cleaning the appliance, pull out the mains plug or switch off the fuse.
Do not pull out the mains plug by tugging the cable.
- Bottles which contain a high percentage of alcohol must be sealed and stored in an upright position.
- Keep plastic parts and the door seal free of oil and grease. Otherwise, parts and door seal will become porous.
- Never cover or block the ventilation openings for the appliance.

Only for appliances with a freezer compartment:

- Do not store bottled or canned drinks (especially carbonated drinks) in the freezer compartment. Bottles and cans may explode!

- Never put frozen food straight from the freezer compartment into your mouth.

Risk of low-temperature burns!

- Avoid prolonged touching of frozen food, ice or the evaporator pipes, etc.

Risk of low-temperature burns!

- Do not scrape off hoarfrost or stuck frozen food with a knife or pointed object. You could damage the refrigerant tubing. Leaking refrigerant may ignite or cause eye injuries.

Children in the household

- Keep children away from packaging and its parts. Danger of suffocation from folding cartons and plastic film!
- Do not allow children to play with the appliance!
- If the appliance features a lock, keep the key out of the reach of children.

General requirements

The appliance is suitable

- for refrigerating and freezing food,
- for making ice.

The appliance is designed for domestic use.

The appliance has been interference-suppressed in compliance with EU Directive 89/336/EEC.

The refrigerant circuit has been tested for leaks.

This product complies with the relevant safety regulations for electrical appliances (EN 60335/2/24).

en

Installing the appliance

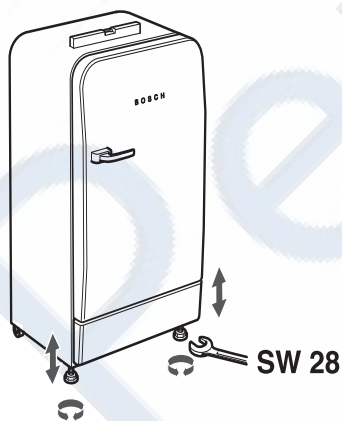
Install the appliance in a dry, well ventilated room.

The installation location should neither be exposed to direct sunlight nor near a heat source, e.g. a cooker, radiator, etc. If installation next to a heat source is unavoidable, use a suitable insulating plate or observe the following minimum distances to a heat source:

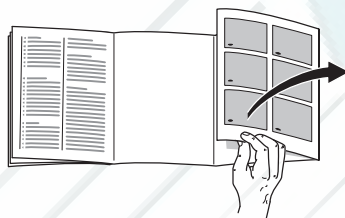
- from an electric cooker 3 cm
- 30 cm to an oil or solid fuel cooker.

If installing the appliance next to another refrigerator or freezer, there must be a minimum gap of 2 cm between the appliances in order to prevent condensation.

The appliance must be level. If the floor is uneven, use the two height-adjustable feet. Two rollers at the rear of the appliance facilitate installation.



Getting to know your appliance



Please fold out the illustrated back page. These operating instructions refer to several models.

Diagrams may vary.

Example of features

Fig. 1

- 1 Light switch
- 2 Fascia/interior light
- 3 Shelves in the refrigerator compartment
- 4 Vegetable container
- 5 Butter and cheese compartment
- 6 Egg rack
- 7 Shelf for large bottles

- A Freezer compartment
B Refrigerator compartment

en

Fascia

Fig. 2

1 Main On/Off switch

Appliance main switch is used to switch the whole appliance on and off.

2 Fast cooling button

When the light is on, super cooling has started. Super cooling cools the refrigerator compartment as cold as possible for approx. 6 hours. Then the previously selected temperature is automatically restored.

Switch on super cooling, e.g.:

- before placing large quantities of fresh food in the appliance.
- to cool drinks quickly.

3 Temperature display lamp

The numbers next to the temperature display lights indicate the refrigerator compartment temperatures in °C .

The light flashes until the selected temperature is reached.

4 Temperature-selection button

Between +8 °C and +2 °C.

Keep pressing the button until the desired temperature lamp illuminates. The value last selected is stored.

Note ambient temperature and ventilation

The climatic class can be found on the rating plate. It specifies the ambient temperatures at which the appliance may be operated. The rating plate is located at the bottom left-hand side inside the fridge.

Climatic category	Permitted ambient temperature
SN	+10 °C to 32 °C
N	+16 °C to 32 °C
ST	+18 °C to 38 °C
T	+18 °C to 43 °C

Ventilation

Fig. 4

The air at the back of the appliance will heat up. This warm air must be allowed to freely escape, otherwise the refrigerating machine must perform more. This raises electricity consumption. Hence, the air-inlet and outlet apertures should never be covered or blocked off!

en

Connecting the appliance

After installing the appliance, wait at least ½ hour until the appliance starts up. During transportation the oil in the compressor may have flowed into the refrigeration system.

Before switching on the appliance for the first time, clean the interior (see Cleaning).

The socket should be easily accessible. Connect the appliance to 220–240 V/ 50 Hz alternating current via a correctly installed earthed socket. The socket must be fused with a 10 A fuse or higher.

If the appliance is to be operated in a non-European country, check on the rating plate whether the indicated voltage and current type correspond to the values of your mains supply. The rating plate is located in the refrigerator compartment at the bottom left-hand side. The mains connection cable may be replaced by an electrician only.

Warning!

Never connect the appliance to electronic energy saver plugs or to power inverters which convert the direct current to 230 V alternating current (e.g. solar equipment, power supplies on ships).

Switching on the appliance

Fig. 2

Press main switch **1**. Interior light comes on, temperature indicator light flashes.

At the factory the refrigerator compartment was set to +5 °C.

We recommend a setting of +4 °C.

Perishable food should not be stored warmer than +4 °C.

Selecting the temperature

The set values can be changed; see description of the fascia.

Operating information

The temperature in the refrigerator compartment becomes warmer:

- If the appliance door is opened frequently
- If large amounts of food are inserted.

Condensation droplets or hoarfrost in the refrigerator compartment

While the refrigerating unit is running, condensation droplets or hoarfrost form on the rear panel of the refrigerator compartment. This is normal.

It is NOT necessary to wipe off the condensation droplets or the hoarfrost. The rear panel defrosts automatically. The condensation flows into the drainage channel **Fig. 3** and is conveyed to the refrigerating unit where it evaporates.

en

Storing food in the appliance

Note the refrigeration zones in the refrigerator compartment!

The air circulation in the refrigerator compartment produce different refrigerant zones:

- **Coldest zone**

is between the arrow stamped on the side and the glass shelf situated below, **Fig. 6**.

Note: Store perishable food (e.g. fish, sausage, meat) in the coldest zone.

- **Warmest zone**

is at the very top of the door.

Note: Store e. g. cheese and butter in the warmest zone.

When served, the cheese will not have lost its flavour and the butter will be easy to spread.

Please note

Wrap or cover food before placing in the appliance. This will retain the aroma, colour and freshness of the food. In addition, flavours will not be transferred between foods and the plastic parts will not become discoloured.

We recommend arranging the food as follows:

- **In the freezer compartment* :**

Frozen food, ice cubes, ice cream

- **On the shelves** in the refrigerator compartment (from top to bottom): cakes and pastries, ready meals, dairy products, meat and sausage

- **In the vegetable container:**

vegetables, salad, fruit

- **In the door** (from top to bottom):

butter, cheese, eggs, tubes, small bottles, large bottles, milk, juice cartons

Usable capacity

Information on the usable capacity can be found inside your appliance on the rating plate.

Temperature indicator

(Not all models)

Do not expose the temperature indicator to direct sunlight and do not place in your mouth.

The **temperature indicator indicates temperatures below +4 °C** and is used to determine the required setting of the temperature controller. Set the temperature controller between 2 and 3 depending on the ambient temperature. Select +4 °C or colder for a degree-precision setting.

After approx. 12 hours, when the temperature has dropped below +4 °C, the colour of the temperature indicator changes from black to green and "O.K." is also indicated (if this does not occur, gradually set the temperature selector colder).



Correct setting



Temperature too high, set temperature controller colder

Interior fittings of refrigerator compartment

You can vary the shelves inside the refrigerator compartment and the door shelves as and when required: Pull the shelf forwards, lower and swing out to the side, **Fig. 6**. Raise the door shelf and remove, **Fig. 7**.

Special features

(not all models)

“Vario” shelf

Fig. 8

Remove the front half of the split glass panel and insert into the groove situated below. Tall produce can then be placed on the shelf underneath (e.g. jugs, bottles).

Drawer for cold meats and cheese

Fig. 9

To remove the drawer, lift and pull out. The holder can be moved.

Bottle holder

Fig. 10

The bottle holder prevents bottles from falling over when the door is opened and closed.

Vegetable container with temperature and humidity regulator

Fig. 11

For long-term storage:
Rotate regulator in a clockwise direction to open the vent and drop the temperature.

For short-term storage:
Rotate regulator in an anti-clockwise direction to close the vent and increase the temperature and humidity.

Bottle shelf

Fig. 12

Bottles can be stored securely on the bottle shelf. The holder can be adjusted.

The freezer compartment*

Use the freezer compartment

- For storing frozen food
- For making ice cubes
- For freezing small quantities of food

The freezer compartment door closes with a noticeable click.

Make sure the freezer compartment door is kept closed at all times. If the door is left open, the contents of the freezer compartment will start to thaw. There will be a build-up of ice inside the freezer compartment and, in addition, a considerable amount of energy will be wasted due to higher electricity consumption.

en

en

Storing deep-frozen food and making ice*

When purchasing deep-frozen food, comply with the following:

- Check that the packaging is not damaged.
- Check the sell-by date.
- The temperature of the supermarket freezer should be -18°C or lower. If not, the storage life of the food is reduced.
- Purchase deep-frozen food last. Wrap in newspaper or place in a cold bag and take home.
- At home immediately place deep-frozen food in the freezer compartment. Close the freezer compartment door properly. Use the deep-frozen food before the sell-by date runs out.
- Do not refreeze thawed food. Exception: If you use the food to make a ready meal (boiling or frying), you can refreeze this ready meal.

Fill the ice tray $\frac{3}{4}$ full with water and place in the freezer compartment drawer.

If required, loosen the frozen ice cube tray with a blunt implement (spoon handle, etc.). Do not use pointed or sharp-edged implements!

- Loosen the ice cubes by briefly holding the ice cube tray under running water or bend slightly **Fig. 13**.

Freezing food*

Freeze fresh, undamaged food only. Keep food which is to be frozen away from food which is already frozen. To prevent food from losing its flavour or drying out, place in airtight containers.

How to wrap food correctly:

1. Place the food in the wrapping.
2. Press out all the air.
3. Seal the wrapping.
4. Label the wrapping with the contents and date.

The following products are not suitable for wrapping food:

Wrapping paper, greaseproof paper, cellophane, refuse bags and used shopping bags.

The following products are suitable for wrapping food:

Plastic film, polyethylene blown film, aluminium foil and freezer tins.

These products can be purchased from your dealer.

The following products are suitable for sealing the wrapped food:

Rubber bands, plastic clips, string, cold-resistant adhesive tape or similar.

Bags and polyethylene blown film can be sealed with a film sealer.

en

Storage duration of the frozen food

Depends on the type of food. At a mean temperature:

- Fish, sausage, ready meals and cakes and pastries:
up to **6 months**
- Cheese, poultry and meat:
up to **8 months**
- Vegetables and fruit:
up to **12 months**

Max. freezer capacity

Food should be frozen right through as quickly as possible. Only in this way are vitamins, nutritional values, appearance and taste retained. Therefore, you should not exceed the maximum freezing capacity of your appliance.

Information about the max. freezing capacity within 24 hours can be found on the rating plate.

Thawing frozen food*

Depending on the type of food and intended use, frozen produce can be thawed as follows:

- At room temperature
- In the refrigerator
- In an electric oven, with/without fan assisted hot-air
- In the microwave

Note

Do NOT refreeze food which is beginning to thaw or which has already thawed. It can only be refrozen when it has been used to prepare a ready meal (boiled or fried).

No longer store the frozen produce for the max. storage period.

Switching off the appliance

Press the On/Off-button **Fig. 2/1**. When the temperature display light **Fig. 2/3** goes out, refrigeration and light switch off.

Disconnecting the appliance

If the appliance is not used for a prolonged period:

1. Pull out the mains plug or switch off the fuse.
2. Cleaning the appliance.
3. Leave the appliance door open.

en

Defrosting the freezer compartment*

The freezer compartment does not defrost automatically, as the frozen food must not thaw. A layer of hoarfrost in the freezer compartment will impair refrigeration of the frozen food and increase power consumption. Remove the layer of hoarfrost regularly.

Attention: Do not scrape off hoarfrost or ice with a knife or pointed object. You could damage the refrigerant tubing. Leaking refrigerant may ignite or cause eye injuries.

Proceed as follows:

1. Remove the frozen food and store temporarily in a cool location.
2. Pull out the mains plug or remove the fuse.
3. Leave the appliance door open. Wipe up condensation with a cloth or sponge.
4. Wipe the freezer compartment dry.
5. Switch on the appliance again.
6. Put the frozen food back in the freezer compartment.

Defrosting aids

You can accelerate the defrosting process by placing a pan of hot water in the freezer compartment.

Attention: place the pan on a heat-insulating base!

Warning: Never use electrical appliances or naked flames to defrost the freezer compartment, e.g. heaters, steam cleaners, candles, kerosene lamps, etc.

Caution when using defrosting sprays:

- Defrosting sprays may form explosive gases.
- Defrosting sprays may contain solvents or propellants which attack plastic.
- Defrosting sprays may be a health hazard.

Follow the manufacturer's instructions.

Refrigerator compartment defrosts fully automatically

While the refrigerating unit is running, beads of condensation or hoarfrost form at the back of the refrigerator compartment. This is quite normal. It is not necessary to wipe off the condensation or frost. The rear panel defrosts automatically. The condensation runs into the condensation channel **Fig. 3** and is conveyed to the refrigerating unit where it evaporates.

Note: Keep the condensation channel and drain hole **Fig. 3** clean so that the condensation can drain.

Cleaning the appliance

1. **Attention: Pull out the mains plug or switch off the fuse!**
2. Wipe the door seal with clear water only and then wipe dry thoroughly.
3. Clean the appliance with lukewarm water and a little washing-up liquid. Water must not get into the control panel.
4. After cleaning: reconnect and switch on the appliance.

en

Do not use abrasive or acidic cleaning agents and solvents.

Regularly clean the condensation channel and drainage hole, **Fig. 3**, so that the condensation can flow out. Clean the condensation channel with cotton buds, etc.

Water used for cleaning must not run through the drainage hole into the evaporation pan.

Tips for saving energy

- Install the appliance in a dry, well ventilated room, but not in direct sunlight and not near a heat source (e.g. radiator, cooker, etc.). If required, use an insulating plate.
- Allow warm food and drinks to cool down before placing in the appliance!
- When thawing frozen products, place them in the refrigerator. The low temperature of the frozen products cools the food in the refrigerator.
- Open and close the door as briefly as possible.
- A layer of hoarfrost in the freezer compartment will impair refrigeration of the frozen food and increase power consumption. Defrost the appliance if frost forms!*
- Ensure that the freezer compartment door* has been closed properly.
- Occasionally clean the rear of the appliance with a vacuum cleaner or paint brush to prevent an increased power consumption.

Operating noises

Completely normal noises

Humming noise – refrigerating unit is running.

Bubbling, whirring or gurgling noises – refrigerant is flowing through the refrigeration tubing.

Clicking noise – motor is switching on or off.

Noises which can easily be eliminated

The appliance is not standing level

Please use a spirit-level to ensure that the appliance is standing level. Adjust the threaded feet or place something underneath to bring the appliance level.

The appliance is crowded

Please leave clearance between the appliance and surrounding furniture or appliances.

Drawers, baskets or storage surfaces are unsteady or stick.

Please check that the removable parts are correctly in position and reinsert if necessary.

The containers are touching

Place the bottles or containers a little apart.

*only for appliances with a freezer compartment

en

Eliminating minor faults yourself

Before you call customer service:

Check whether you can eliminate the fault yourself based on the following information. A technician who is called out to give advice will charge you, even if the appliance is still under guarantee.

Fault	Possible cause	Remedial action
Light does not function.	The bulb is defective.	Change the bulb Fig 15/B <ol style="list-style-type: none"> 1. Pull out the mains plug or disconnect the fuse. 2. Remove bulb cover towards the rear. (Replacement bulb, 220–240 V a.c., E14 bulb holder, see defective bulb for wattage)
Temperature display lamp flashes Fig. 2/3 . (The freezer compartment is too warm)	Light switch is sticking. Fig. 15/A	Check whether it can be moved.
	Appliance door opened frequently. A lot of food was placed in the freezer.	Do not open the door unnecessarily.
The frozen food is frozen solid.*	The ventilation openings have been covered.	Remove obstacles.
		Loosen frozen food with a blunt object. Do not use a knife or pointed object. You could damage the refrigerant tubing or the plastic surface.*
There is a thick layer of frost in the freezer compartment.*		Defrosting the freezer compartment (see Defrosting). Always ensure that the freezer compartment door is closed properly. Freezer compartment door must “click” shut.*
Floor of the refrigerator compartment is wet.	The condensation outlet is blocked. Fig. 3	Clean the condensation channel and the outlet (see Cleaning the appliance).

en

Fault	Possible cause	Remedial action
The temperature in the refrigerator compartment is too cold.	Temperature has been set too low.	Increase the temperature.
	If large quantities of fresh food are being frozen, the temperature in the refrigerator compartment drops temporarily, as the refrigerating unit runs for a long time.*	Do not exceed max. freezing capacity.*
The refrigerating unit is switching on more frequently and for longer.	Large quantities of fresh food are being frozen.*	Do not exceed max. freezing capacity.*
	The ventilation openings have been covered.	Remove obstacles.
Refrigerator has no cooling capacity.	On/Off switch is not switched on.	Press On/Off switch.
	Power failure; the fuse has been switched off; the mains plug has not been inserted properly.	Check whether the power is on, check the fuses.

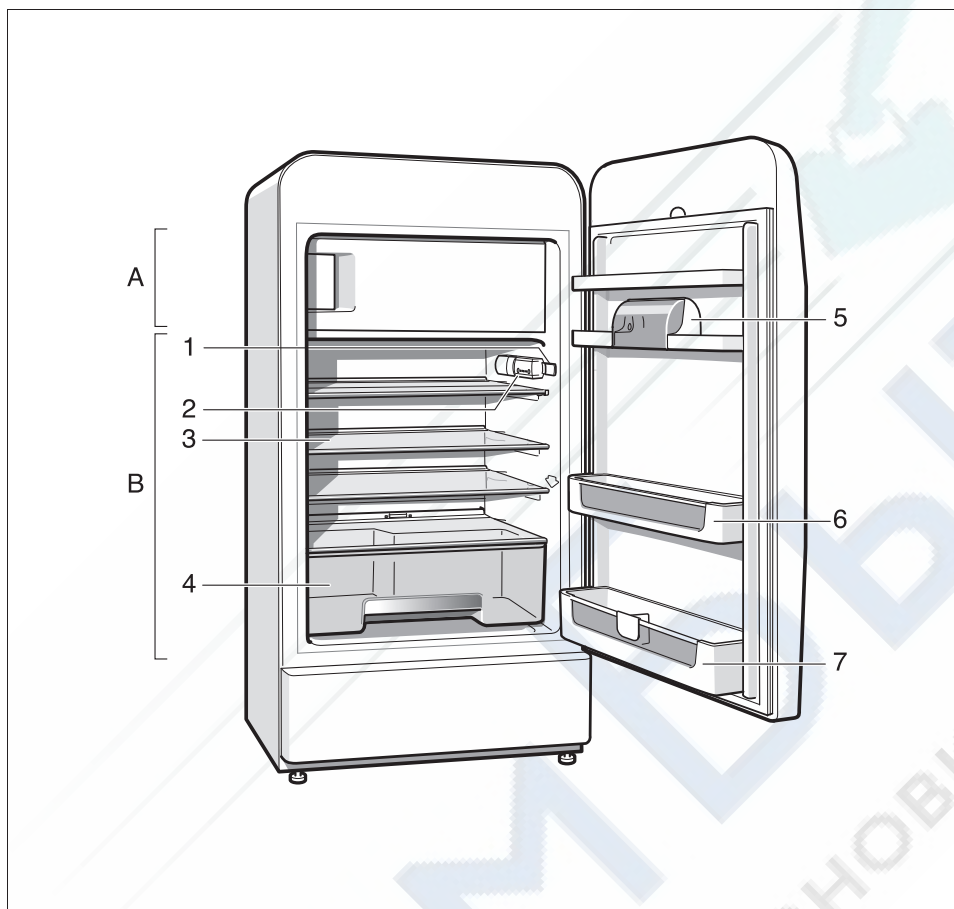
Customer service

Your local customer service can be found in the telephone directory or in the customer-service index. Please provide customer service with the appliance product number (**E no.**) and production number (**FD no.**).

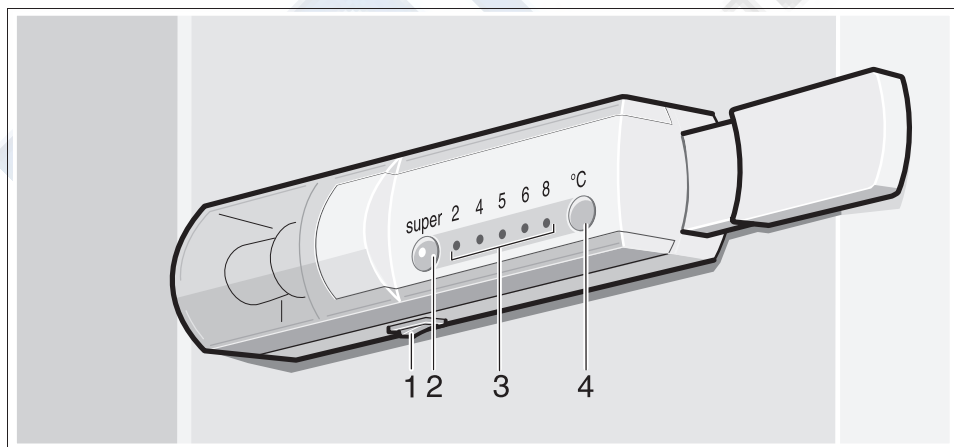
This information can be found on the product label. **Fig. 14**

To prevent unnecessary call-outs, please assist customer service by quoting the product and production numbers. This will save you additional costs.

*only for appliances with a freezer compartment



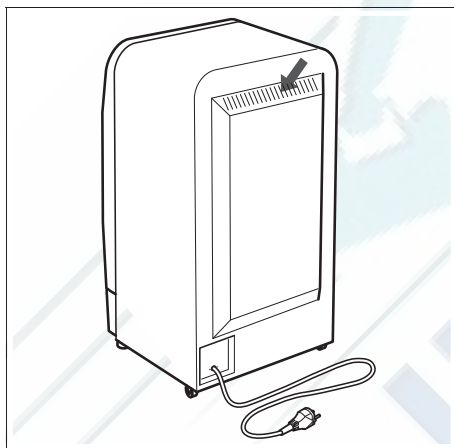
1



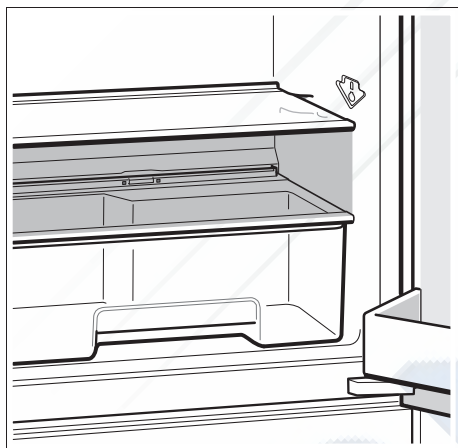
2



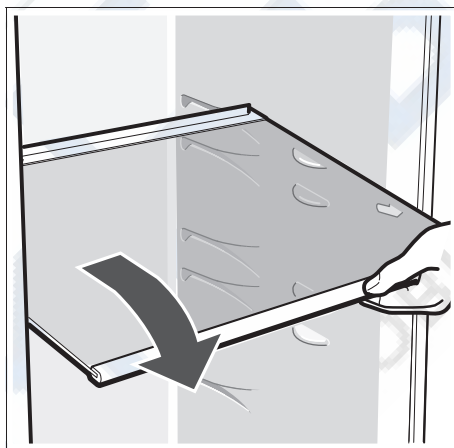
3



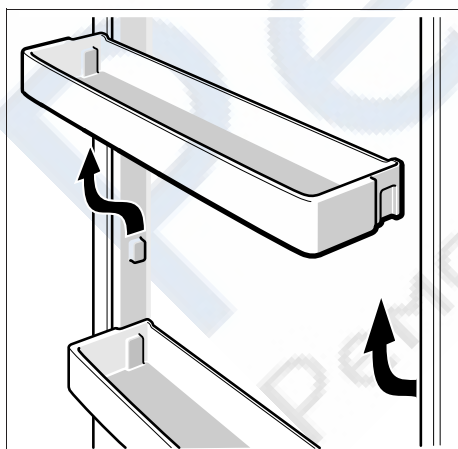
4



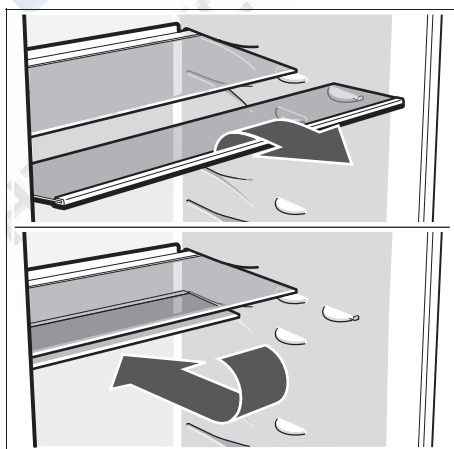
5



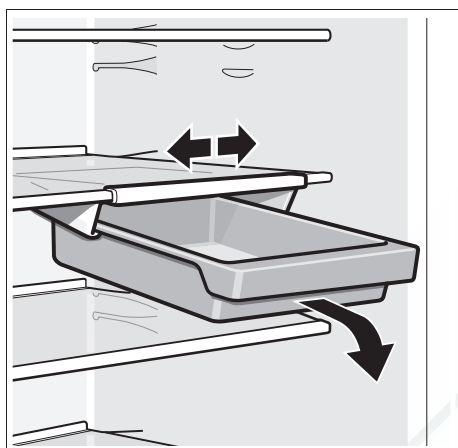
6



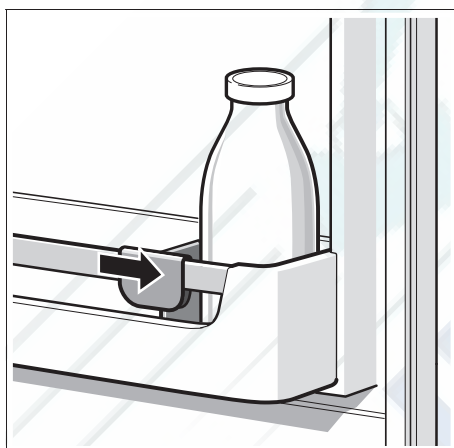
7



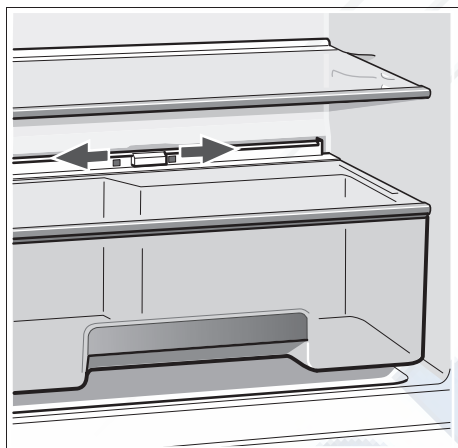
8



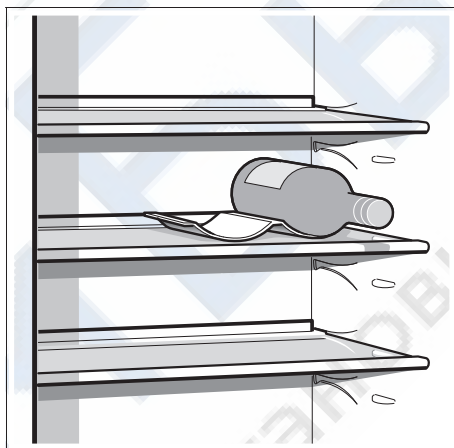
9



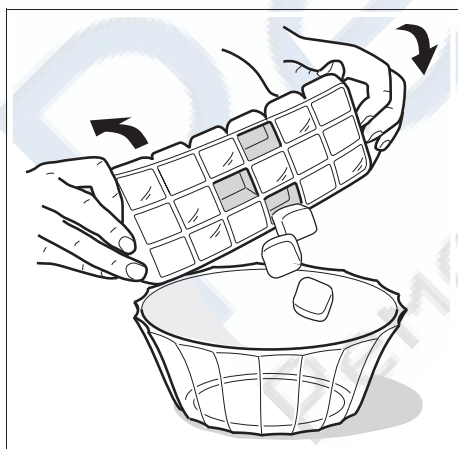
10



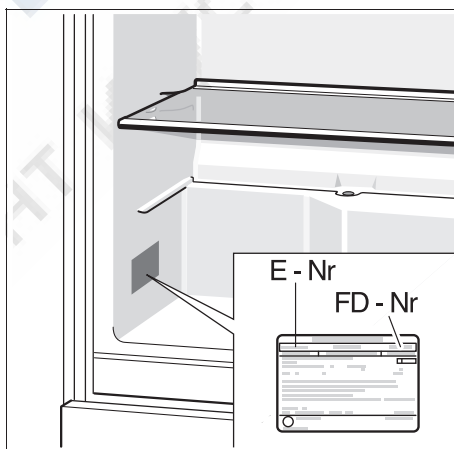
11



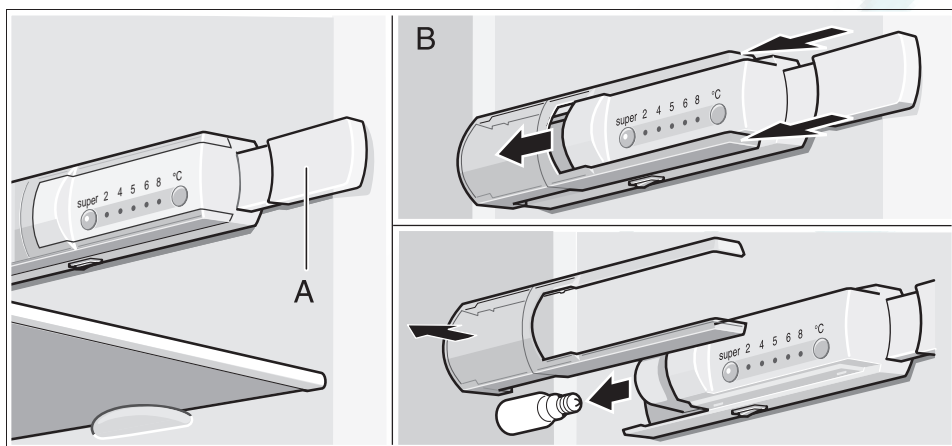
12



13



14



Bosch Info-Team:
DE Tel. 0180/5 30 40 50 (EUR 0,12/Min. DTAG)

Änderungen vorbehalten.
Subject to alterations.
Sous réserve de modifications.
Salvo modifichie.
Wijzigingen voorbehouden.